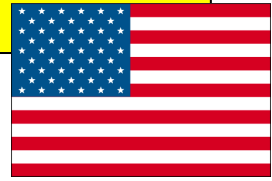


**CASE  
HISTORY  
REPORT**



# INPRO/SEAL



**Company name: S.A.B.I.C**  
Saudi Basic Industries-Corporation

**Location: Selkirk, NY**

**Industry : Plastics (Polyethylene – Polypropylene)**

S.A.B.I.C in Selkirk has started 4 years ago to install INPRO/SEAL AIR MIZER on **Young™** Rotary Valve.

Presently more than 80 Rotary Valves are equipped. The complete Rotary Valve repair shop has been closed.

The AIR MIZER works so good than the Air Line calculated for CFM (Cubic Feet /Minute) has been changed to CFH (Cubic Feet / Hour)\*.

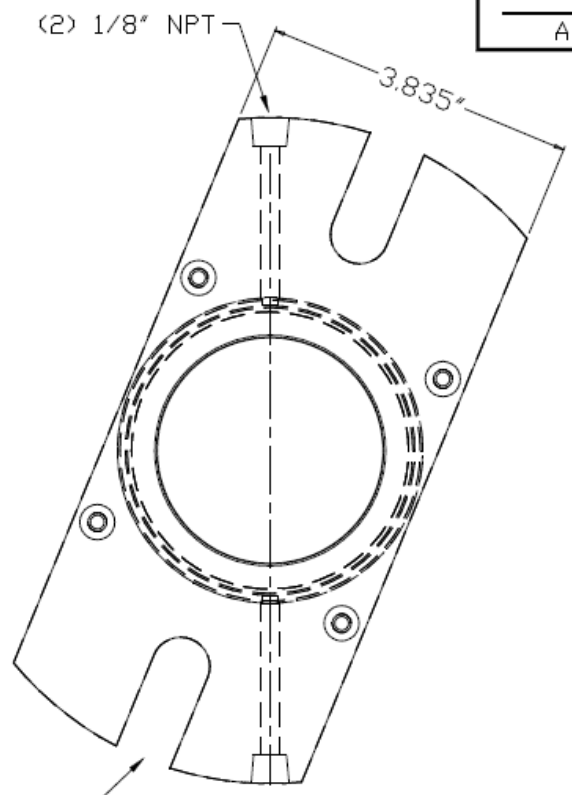
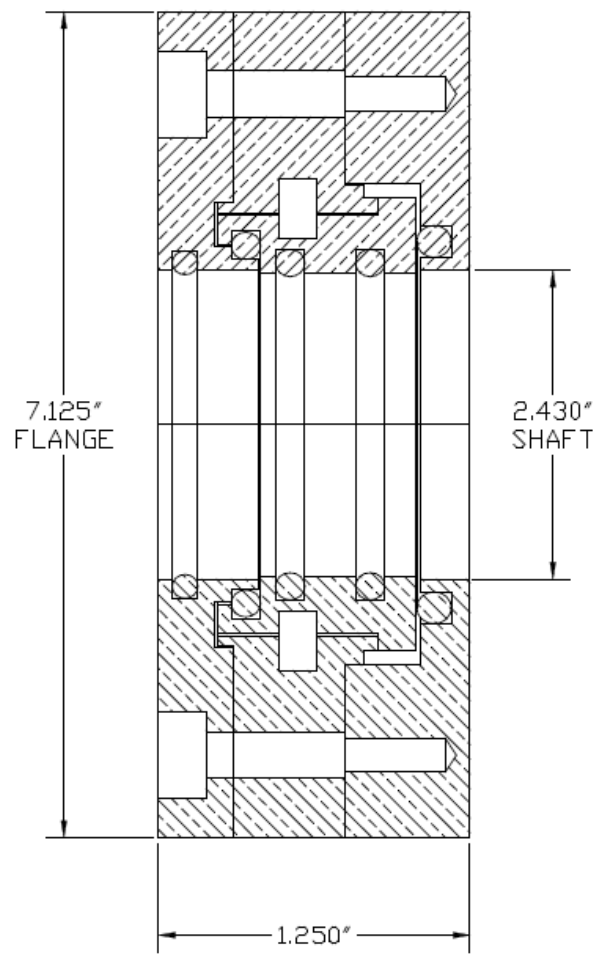


\* 5 M<sup>3</sup>/H – 25 M<sup>3</sup>/H to 85 Liters/Hours – 420 Liters/Hours.

THIS PRINT HAS BEEN ISSUED FOR APPROVAL ONLY.  
 APPROVED AS IS.  
 APPROVED AS NOTED.  
 NOT APPROVED.

---

APPROVED SIGNATURE



REVS: TDC

REVS: 19 OCT 06 WLS  
CHANGED FLATS TO 3.835"  
WAS 3.335"

REVS:

THIS DRAWING INCLUDING THE DESIGN AND PRINCIPLES OF CONSTRUCTION DISCLOSED IS THE PROPERTY OF INPRO/SEAL COMPANY, AND IS SUBMITTED WITH THE UNDERSTANDING THAT IT IS NOT TO BE REPRODUCED NOR COPIED IN WHOLE OR IN PART NOR LOANED OR OTHERWISE COMMUNICATED TO ANY THIRD PARTY NOR USED IN ANY MANNER DETRIMENTAL TO THE INTERESTS OF INPRO/SEAL COMPANY. ACCEPTANCE OF THIS DRAWING WILL BE CONSTRUED AS AN AGREEMENT TO THE ABOVE.

U.S. PATENTS:		
7,090,403	5,865,441	5,158,304
7,052,014	5,498,006	5,134,049
6,419,233	5,378,000	5,074,567
6,311,984	5,335,921	5,069,461
6,234,489	5,221,095	4,989,883
6,062,568	5,174,583	4,832,350
5,951,020	AND OTHERS PENDING	

INPRO/SEAL  
BEARING ISOLATOR

DATE 08 SEP 06

TN10662

