

# CASE HISTORY REPORT

# INPRO/SEAL

**CUSTOMER :** Enrichment Plant of *EURODIF*      **LOCATION :** *Tricastin - AIN France*  
**INDUSTRY :** *Nuclear Energy*      **END PRODUCT :** *Cooling System Exploitation*

EURODIF is an Enrichment Plant of uranium. It produces fuel enriched Uranium 235 from Uranium 238, for the Nuclear Power Plants of **E.D.F** [Electricity De (of) France]. It is the second biggest plant in the world, behind the Paducah plant in the U.S.A, and ahead of Yekaterinburg in Russia.

View of the Georges Besse enrichment plant of Eurodif



In September 2001 they asked K.S.B Service – Repair Shop Centre of Aix en Provence (South of France), a solution to eliminate the oil leakage from bearing housing, due to the using of elastomer lip seal.

K.S.B Service proposed the installation of two Inpro/Seal Bearing Isolator, type VBX 0.900 – CODE 1900.

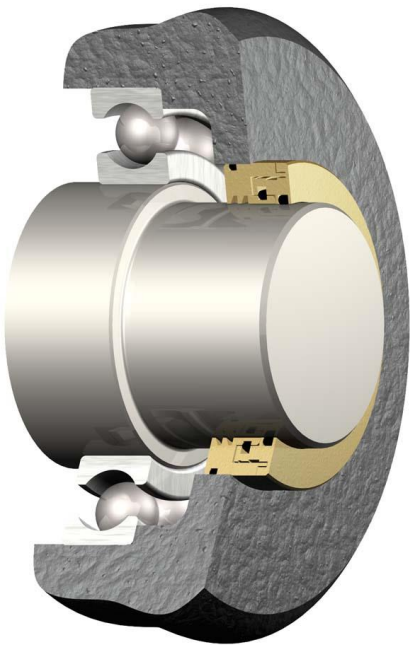


# CASE HISTORY REPORT

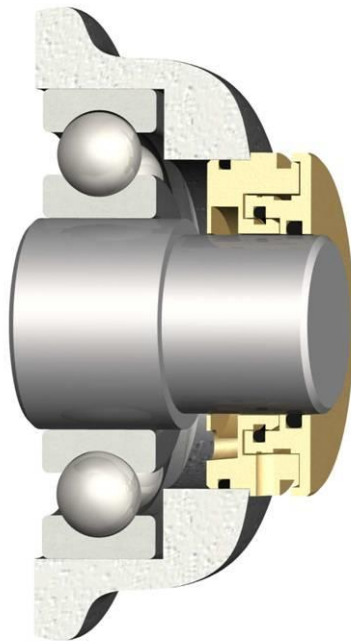
# INPRO/SEAL

Just after the pump started, a very small oil leakage appeared on coupling end. The VBX 0.900 were replaced by the new VBXX-D – CODE 1987 DESIGN.

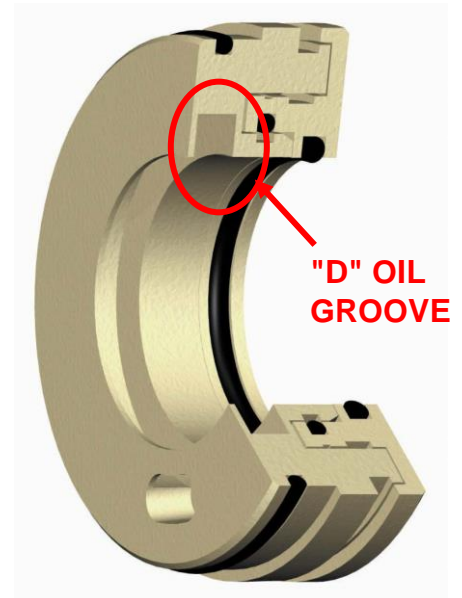
With the “D” OIL GROOVE the result was perfect: ZERO OIL LEAKAGE.



**VBX 0.900 – CODE 1900**



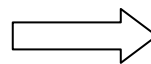
**VBXX-D – CODE 1987**



A second pump has been installed in September 2002. And a program of generalisation will be settled.

## **TECHNICAL DETAILS :**

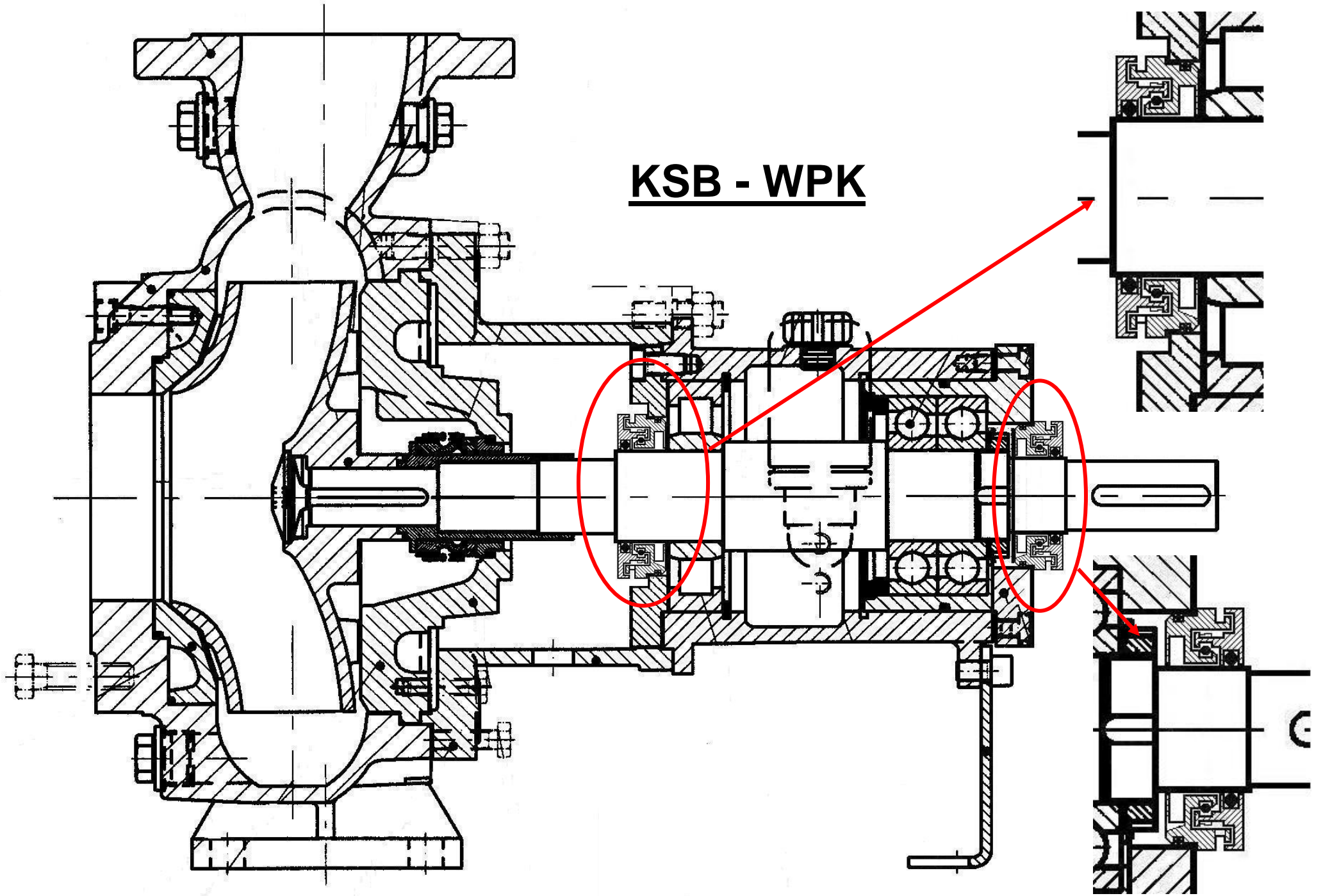
**Manufacturer :** K.S.B, pump type WPK 350-500

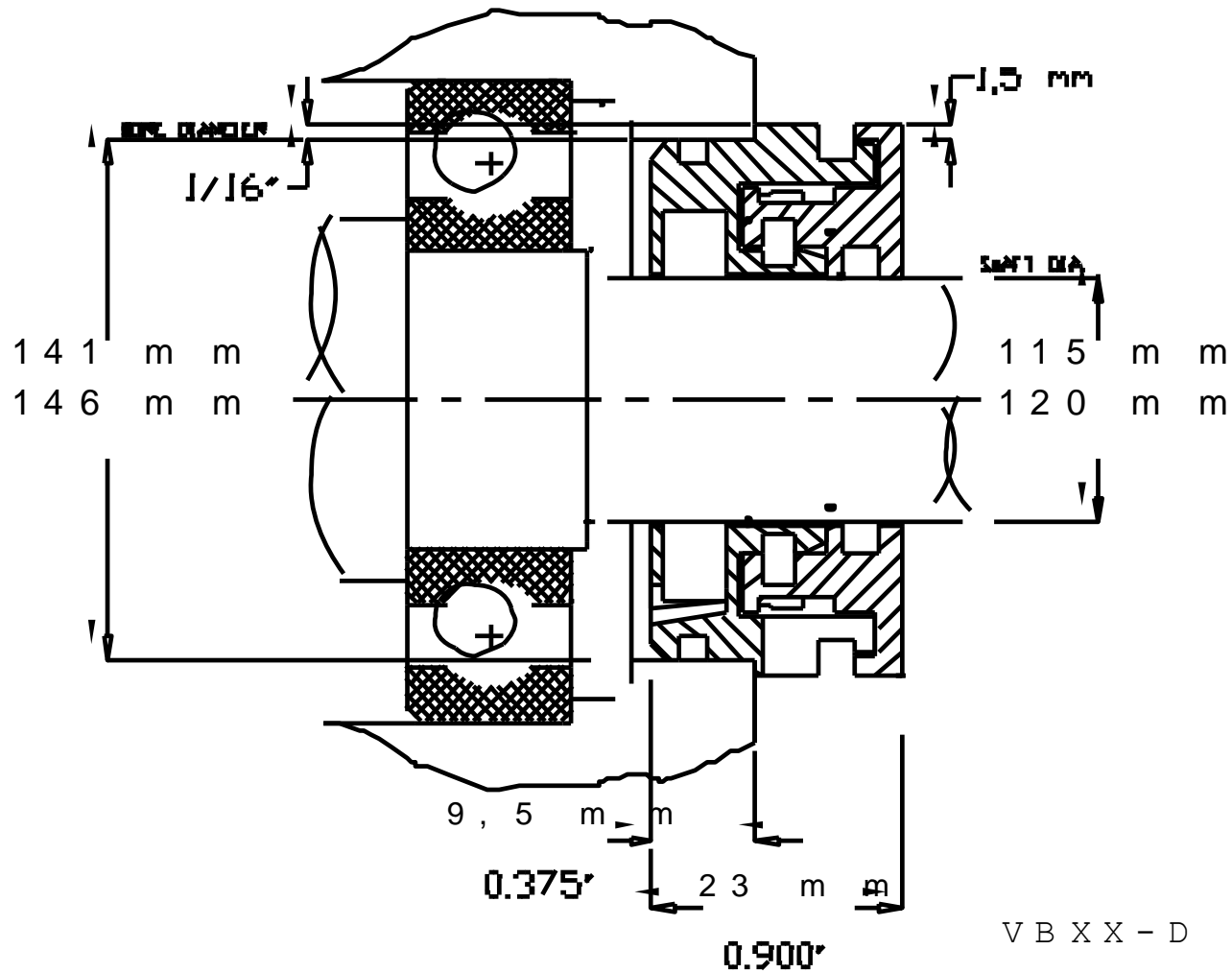


**Shaft size :** Ø 115 mm & 120 mm


**Inpro B.I :** VBXX-D 0.900 – CODE 1987 – 1987-A-08314-5.  
VBXX-D 0.900 – CODE 1987 – 1987-A-01107-5.

**KSB - WPK**





VBXX-D LOW HEAD DES

REV: 1	NFH	U.S. PATENTS: 5,378,000 5,069,461	INPRO/SEAL <b>BEARING ISOLATOR</b>	 0 4 9 8
REV: 2	THIS DRAWING INCLUDING THE DESIGN AND PRINCIPLES OF CONSTRUCTION DISCLOSED IS THE PROPERTY OF INPRO COMPANY, INC. AND IS SUBMITTED WITH THE UNDERSTANDING THAT IT IS NOT TO BE REPRODUCED NOR COPIED IN WHOLE OR IN PART NOR LOANED OR OTHERWISE COMMUNICATED TO ANY THIRD PARTY NOR USED IN ANY MANNER DETRIMENTAL TO THE INTERESTS OF INPRO COMPANY, INC. ACCEPTANCE OF THIS OFFERING WILL BE CONSIDERED AS AN AGREEMENT TO THE ABOVE.	5,335,921 4,989,883 5,221,095 4,706,968 5,161,804 4,466,620	VBXX-D 0.900 - CO	
REV: 3		5,158,304 4,304,409 5,137,049 4,175,752 5,074,567 4,114,902	DATE 6 AUG 98 AND OTHERS PENDING	