

# CASE HISTORY REPORT



# INPRO/SEAL

Company : **ARKEMA**

Location: **Saint Avold - FRANCE**

Industry: **CHEMICAL PLANT**

Application : **Cooling Tower Gearbox**

The ARKEMA plant at Carling –St Avold produces acrylate and methyl acrylate.

The cooling tower gearboxes are regularly repaired because of bearing failure. The high level of humidity is responsible for contamination.

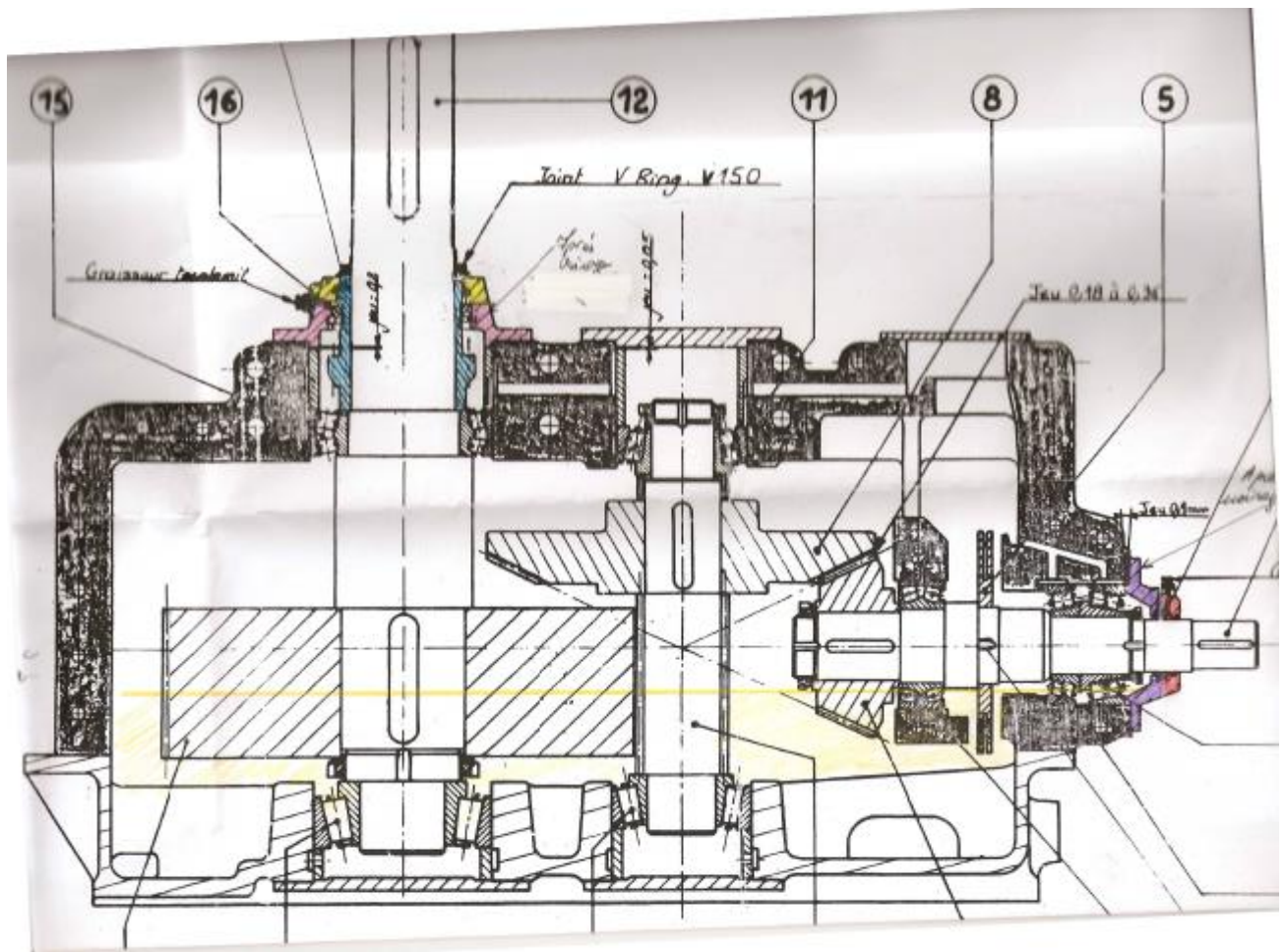
Arkema started to install INPRO/SELA Bearing Isolator on Horizontal and Vertical shaft of A MESSIAN gearboxes.

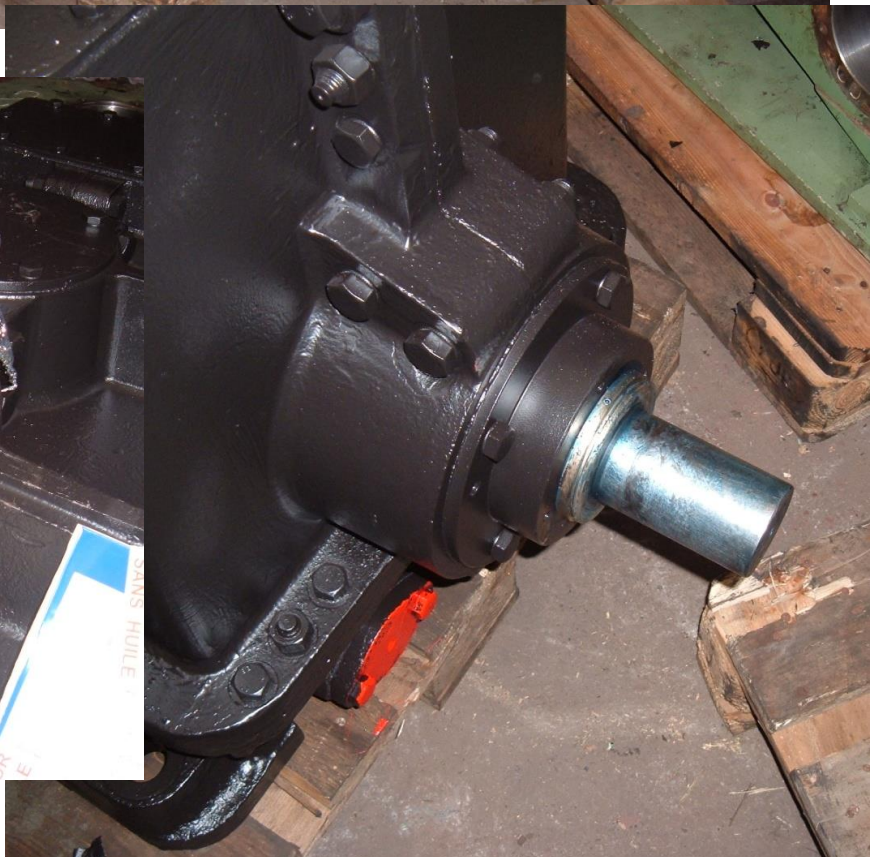
Up to date **NO CONTAMINATION** has been found in the oil.

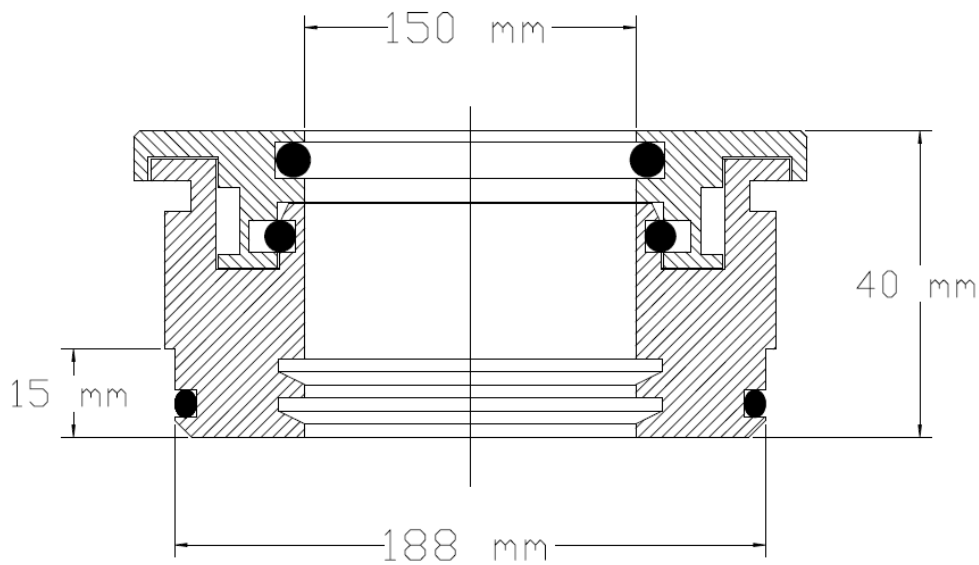
## TECHNICAL DESCRIPTION:

Inpro/Seal : VBXX VERTICAL UP DESIGN – 40 mm OAL, Ø 150 mm.  
VBXX DOUBLE D OIL GROOVE, Ø 65 mm.



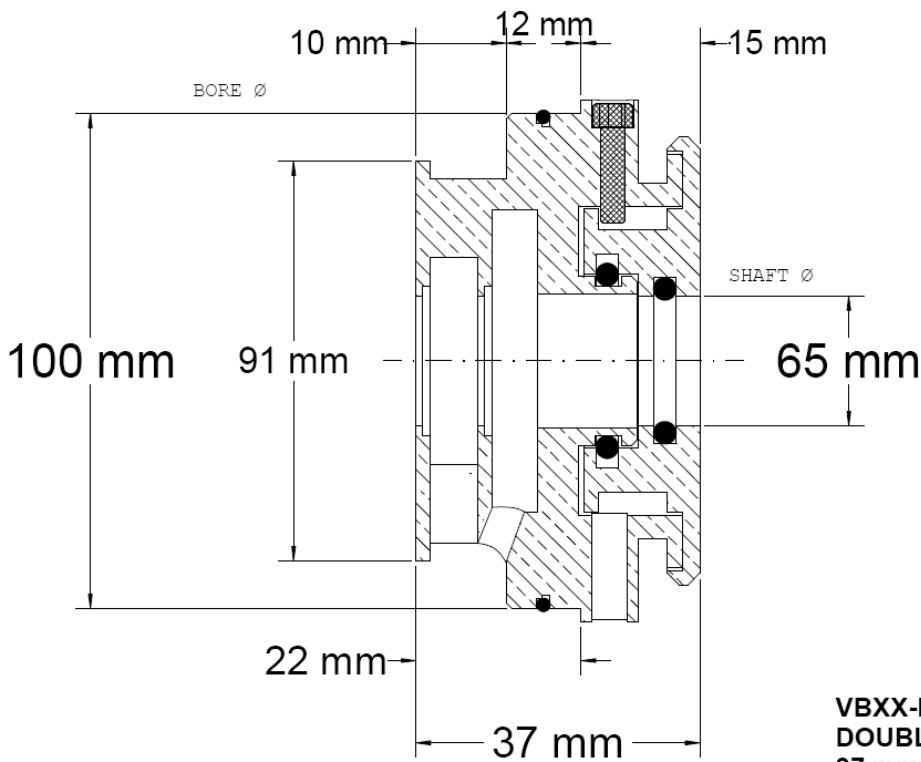






**VBXX VERTICAL UP HIGH HEAD DESIGN  
40 mm OAL WITH 15 mm INSERTION  
AND NO EXPULSION PORTS**

REVS:	DED	THIS DRAWING INCLUDING THE DESIGN AND PRINCIPLES OF CONSTRUCTION DISCLOSED IS THE PROPERTY OF INPRO COMPANIES, INC. AND IS SUBMITTED WITH THE UNDERSTANDING THAT IT IS NOT TO BE REPRODUCED NOR COPIED IN WHOLE OR IN PART NOR LOANED OR OTHERWISE COMMUNICATED TO ANY THIRD PARTY NOR USED IN ANY MANNER DETRIMENTAL TO THE INTERESTS OF INPRO COMPANIES, INC. ACCEPTANCE OF THIS DRAWING WILL BE CONSTRUED AS AN AGREEMENT TO THE ABOVE.	U.S. PATENTS:		INPRO/SEAL		
REVS:			5,378,000	5,069,461	BEARING ISOLATOR		
57020-2009-01.pdf			5,335,921	4,989,883	DATE	AND OTHERS PENDING	



**VBXX-D CAP LOC DESIGN WITH  
DOUBLE VERTICAL OIL GROOVE  
37 mm OAL - With 22 mm INSERTION**

REVS:	MCB	THIS DRAWING INCLUDING THE DESIGN AND PRINCIPLES OF CONSTRUCTION DISCLOSED IS THE PROPERTY OF INPRO COMPANIES, INC. AND IS SUBMITTED WITH THE UNDERSTANDING THAT IT IS NOT TO BE REPRODUCED NOR COPIED IN WHOLE OR IN PART NOR LOANED OR OTHERWISE COMMUNICATED TO ANY THIRD PARTY NOR USED IN ANY MANNER DETRIMENTAL TO THE INTERESTS OF INPRO COMPANIES, INC. ACCEPTANCE OF THIS DRAWING WILL BE CONSTRUED AS AN AGREEMENT TO THE ABOVE.	U.S. PATENTS:		INPRO/SEAL		
REVS:			5,378,000	5,069,461	BEARING ISOLATOR		
57020-2008-01.pdf			5,335,921	4,989,883	DATE	AND OTHERS PENDING	